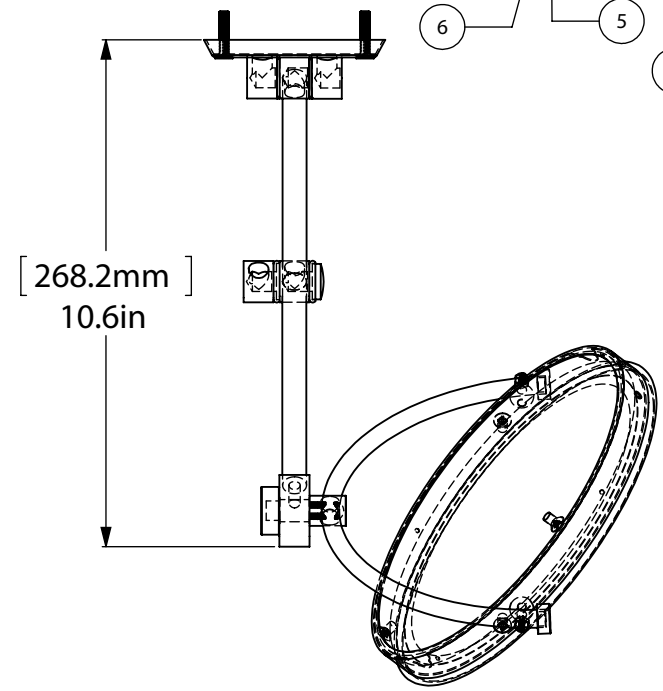
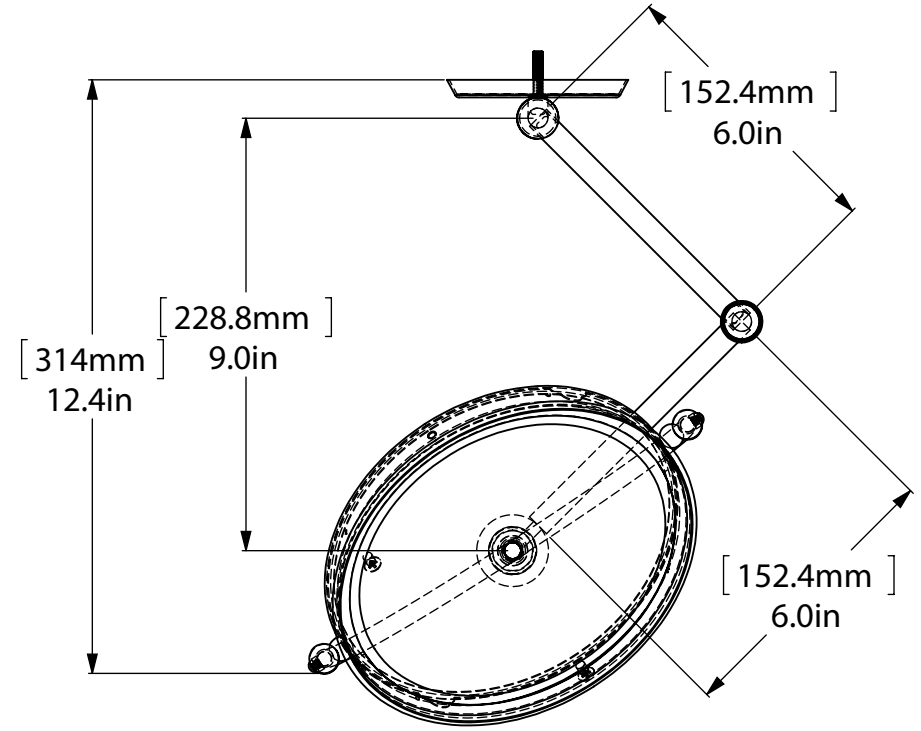
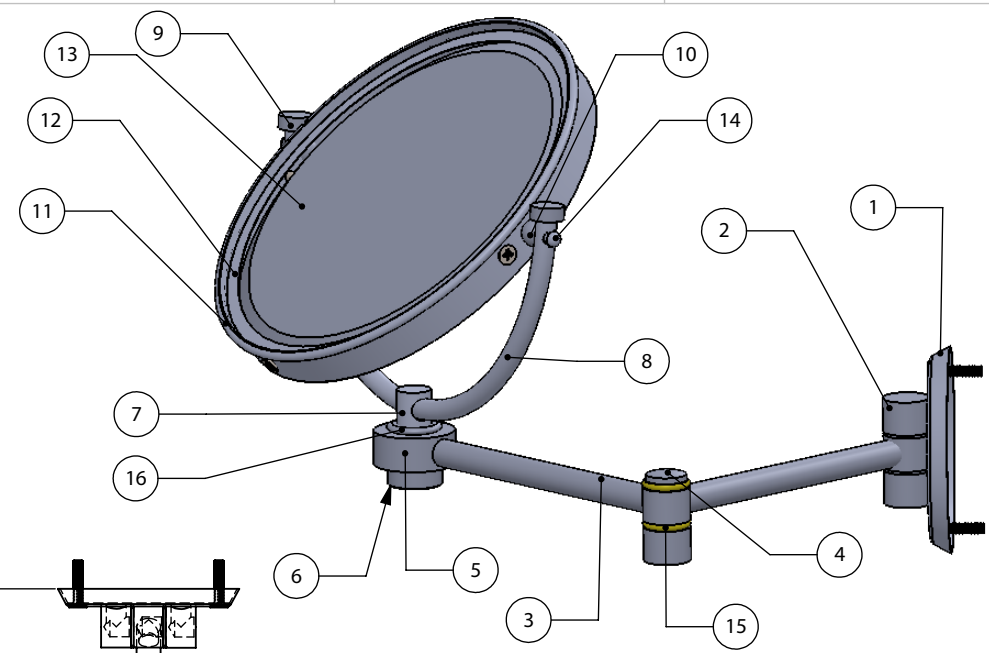


ITEM NO.	PART NUMBER	DESCRIPTION	QTY.
1	BPRDMR-4	BACK PLATE	1
2	HBBTT-78	HUB	5
3	TU12-6	TUBE	2
4	CARD-34	END CAP	1
5	RGSMD	CONNECTOR	1
6	Card-1	END LOCK	1
7	FTTDS	SWING SUPPORT	1
8	MRUBT-8	SWING TUBE	1
9	CARD-58	LOCK	2
10	BL1TL-12	END BALL	2
11	MROR34-8	MIRROR RING OUTSIDE	1
12	MRIN34-8.	MIRROR RING INSIDE	1
13	MIRROR	MIRROR	1
14	CN8-32 3D	HEX LOCK	2
15	CRRD-34	RING	4
16	CRRD-12	CHECKING RING	1



**CONFIDENTIALITY/LIMITED LIABILITY STATEMENT**  
This document (and any files attached to it) is confidential and intended only for the person or entity to which it is delivered. If you are not the intended recipient, then you have received this document by mistake and any use, dissemination, forwarding, printing or copying of this document and its file attachments is prohibited. Please notify ALLIED BRASS INC. immediately either by telephone or by email, delete the misdirected document from your system and destroy any copies you have made of it. We do not accept any liability for any loss or damage which may arise from your receipt of this document.

UNLESS OTHERWISE STATED			INITIALS	DATE	ITEM	QTY	DRG/PART NO	CLIENT:
DO NOT SCALE	X.XXX	+/-0.025		IJM	MATERIAL		BRASS	WEIGHT
DRAWING	X.XX	+/-0.1		IJM	HEAT TREAT		NA	FINISH
CHAMFER ALL	X	+/-0.25		R. ANDRIS	CUSTOMER			QUANTITY
EDGES 0.5X45		+/-0.75						CUSTOMER No
DRAWING ISO								---
	<b>ANGLES</b>							DRAWING No.
	X.XX	+/-0.05*						WM-6
	X.X	+/-0.1*						REV
	X	+/-0.5*						0
	<b>MACHINED FINISH</b>	3.2						SCALE
								1:4
								SHEET: 01
								A4

